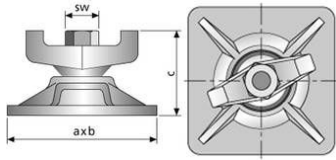
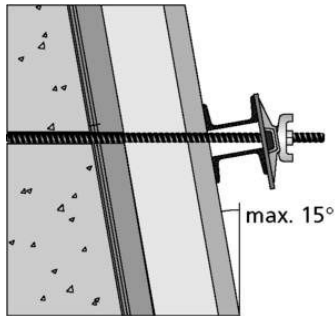
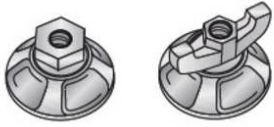


KIPP



Glvanized ball-and-socket plate. For sloping formwork. Compatible with Uni 15.
Loadability of all accessory according to DIN 18216.



KIPP

| Article number | Thread | Plate size Ø mm | Plate size a mm | Plate size b mm | Plate size c mm | SW mm | Material quality | Packaging piece/ metre/ metre by the metre/ bucket/ bag/ bundle/ box/ can | Weight kg/piece |
|----------------|--------------------|-----------------|-----------------|-----------------|-----------------|-------|------------------|---|-----------------|
| 20021230 | B 15 with wing nut | | 120 | 120 | 66 | 27 | galvanised | 10 pieces/bag | 1,300 |
| 20021350 | B 15 with wing nut | | 135 | 185 | 66 | 27 | galvanised | 10 pieces/bag | 1,833 |
| 20020950 | B 15 with S-nut | 94 | | | 53 | 41 | galvanised | 1 piece | 0,680 |
| 20020940 | B 15 with wing nut | 94 | | | 61 | 27 | galvanised | 1 piece | 0,765 |